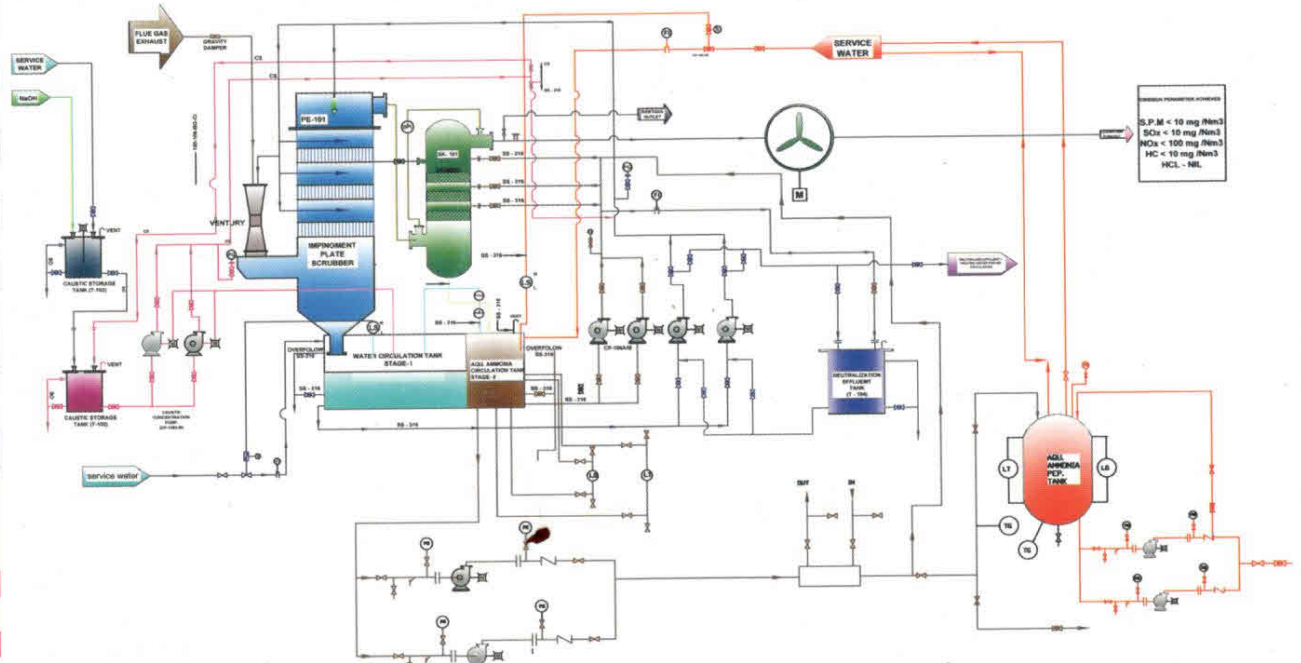


AIR POLLUTION CONTROL

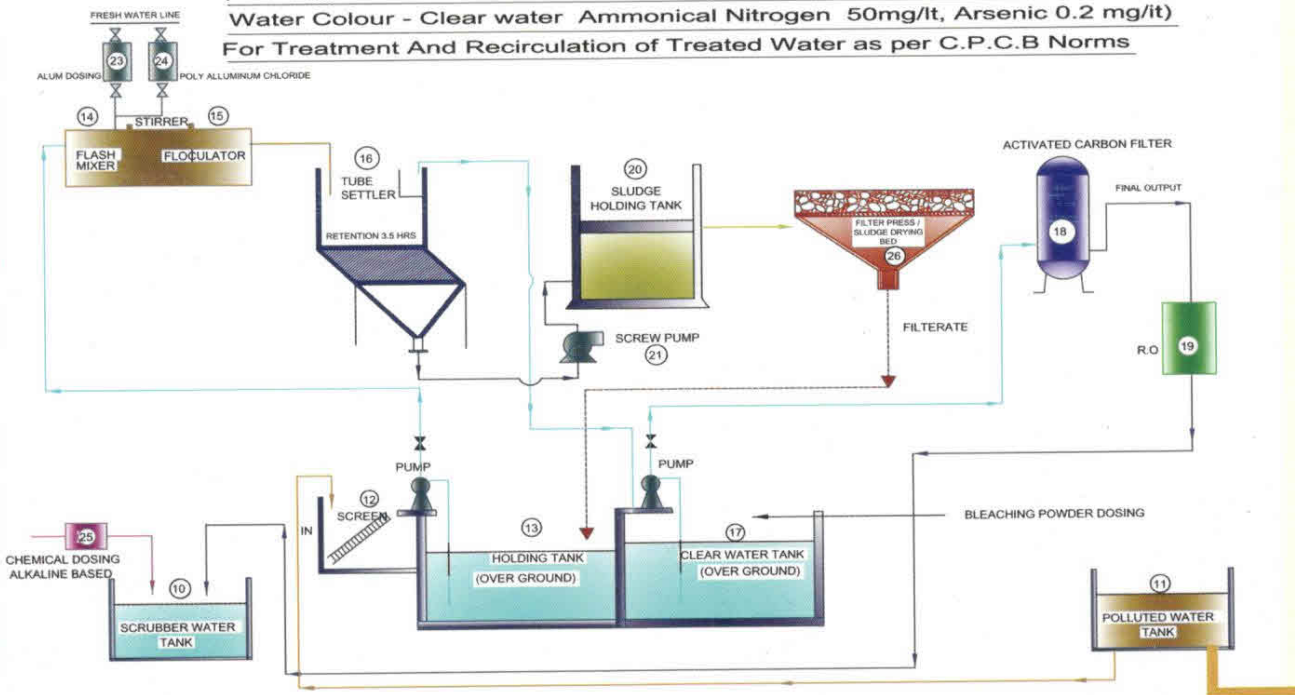
AIR POLLUTION CONTROL SYSTEM TO CONTROL (SPM, Sox, HC, NOx, H2S ORGANIC / INORGANIC GASES) ZERO EMISSION - ZERO DISCHARGE

Schematic Diagram of Air Pollution Control System to Control (SPM, Sox, Organic / Inorganic Gases, Nox) < 10mg/Nm³
ZERO EMISSION - ZERO DISCHARGE



- A. 1st & 2nd stage scrubber Jet Ventury Cum Impingement Plate Scrubber - For control of (SPM, Sox, Organic / Inorganic gases) < 10mg/Nm³
- B. 3rd stage Packed Tower Scrubber to Control Nox < 10 mg /Nm³
- C. Water Circulation System
- D. Caustic Dosing System to maintain, PH - 6.5 to 9
- E. Aqueous Ammonia / H₂O₂ Dosing System to Control Nox

EFFLUENT TREATMENT PLANT - ZERO DISCHARGE (PH < 6.0-8.5, T.S.S < 100mg/lit, T.D.S < 600mg/lit, BOD < 50mg/lit, COD < 250mg/lit, Water Colour - Clear water Ammonical Nitrogen 50mg/lit, Arsenic 0.2 mg/lit) For Treatment And Recirculation of Treated Water as per C.P.C.B Norms



- A. CLEAR WATER B. POLLUTED WATER TANK C. SCREEN D. HOLDING TANK E. FLASH MIXER F. FLOCCULATOR G. TUBE SETTLER H. CLEAR WATER TANK I. ACTIVATED CARBON FILTER
- J. R.O. K. SLUDGE HOLDING TANK L. SCREW PUMP M. SLUDGE WATER DISCHARGE N. ALUM DOSING O. POLY ALUM CHLORIDE P. CHEMICAL DOSING ALKALINE BASED Q. SLUDGE DRYING BED

PECMA AIR SYSTEMS PVT. LTD.

H.O. :- 301 - 302, COMPETENT HOUSE, 7, R.B.C. NANGAL RAYA BUSINESS CENTRE, NANGAL RAYA, NEW DELHI - 110 046
 PHONES : +91 11 28520437, +91 11 28521466 | FAX : +91 11 28520437 | MOB. : +91 9873349600
 Web : www.pecmapollutioncontrol.com | E-MAIL : pecma2002@yahoo.co.in, pecma1987nks@yahoo.in
 Works : Plot No.-537, Sector-37, Face city-II Gurgaon, Haryana-122006 • E-MAIL : info@pecmapollutioncontrol.com, engineering@pecmapollutioncontrol.com

WET & DRY SCRUBBER TO CONTROL

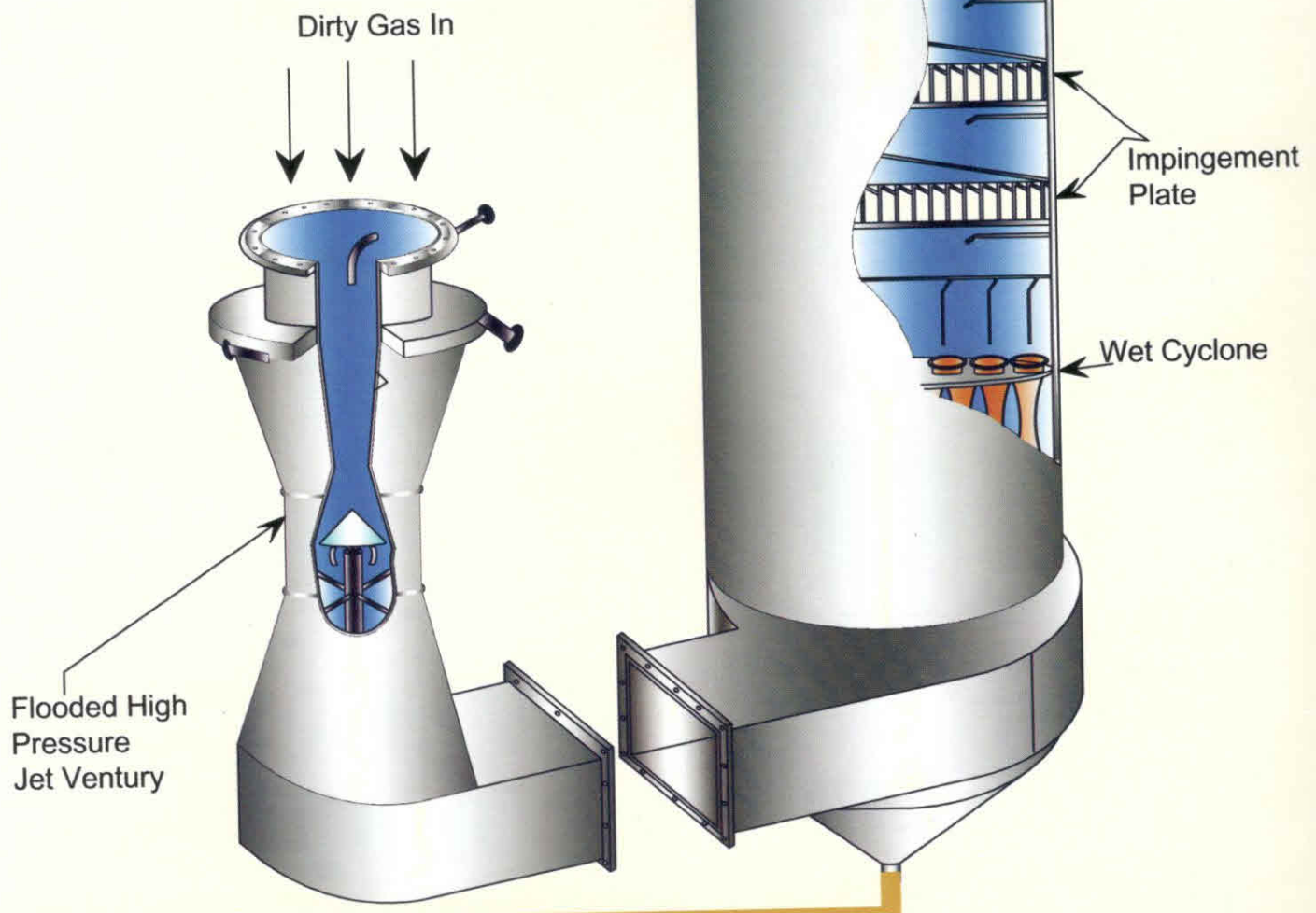
(SPM, SOX, HC, NOX, H₂S ORGANIC/INORGANIC GASES, AIR CONTAM., HAZARDOUS AIR POLLU., GREEN HOUSE GASES)
ZERO EMISSION & ZERO DISCHARGE

AIR CONTAMINENTS: Ozone (O₃), Nitrogen Oxide (NO_x), Sulphur Dioxide (SO_x), Particulate Matter, Carbon Monoxide (CO) Hydrogen Sulphate (H₂S), Volatile Organic Compose (VOC)

HAZARDOUS AIR POLLUTANTS: Hydrogen Chloride, Hydrogen Fluoride, Cadmium, Mercury, Dioxin, Annonia and Sulphuric Acid

GREEN HOUSE GASES: Carbon Dioxin, Nitrous Oxide and Methane (CH₄)

TYPE OF SCRUBBER (EFFICIENCY >99%)
Ventury, Impingement, Packed Tower, Bubble Cap and Combinations to achieve less Pressure Drop to have Lower Power Consumption at Low Pressure Drop



PECMA AIR SYSTEMS PVT. LTD.

H.O. :- 301 - 302, COMPETENT HOUSE, 7, R.B.C. NANGAL RAYA BUSINESS CENTRE, NANGAL RAYA, NEW DELHI - 110 046
 PHONES :- +91 11 28520437, +91 11 28521466 | FAX :- +91 11 28520437 | MOB. :- +91 9873349600
 - Web :- www.pecmapollutioncontrol.com | E-MAIL :- pecma2002@yahoo.co.in, pecma1987nks@yahoo.in
 Works :- Plot No.-537, Sector-37, Pace City-II, Gurgaon, Haryana-122006 • E-MAIL :- info@pecmapollutioncontrol.com, engineering@pecmapollutioncontrol.com